

SNAP SWITCHES, ESW Series

EXPLOSION PROOF

BELGIUM



A QUALITY PRODUCT



APPLICATION

The ESW snap switches are designed

- : for disconnecting means of small AC or DC appliances or lighting circuits.
- : to prevent arcing of enclosed switches during connect and disconnect operation in zone 1,2 and zone 22 hazardous areas.

TECHNICAL DATA

Type of Protection : Ex d IIA T6

Conforming to : Standards IEC 60079-0 /1 or UL 60079-1

Marking for test : Ex II2G

Degree of Protection : IP66 acc.To IEC 60529

Ambient Temp. (Ta) : -20° C to+ 55° C

Rated Voltage : 220-240V.AC. 50/60Hz.

Electrical rating range : 10 - 30A. 2 Poles

Protection class for UL. : Class I, Division 1 or 2 Group.C,D
: Class II, Division 1 or 2 Groups.E,F,G

Protection class for IEC : Zone 1 and Zone 2

SPECIFICATION

Body, cover and operating handle : Marine grade copper-free aluminium

Bolts and mechanism : Stainless steel

CATALOGUE NUMBER

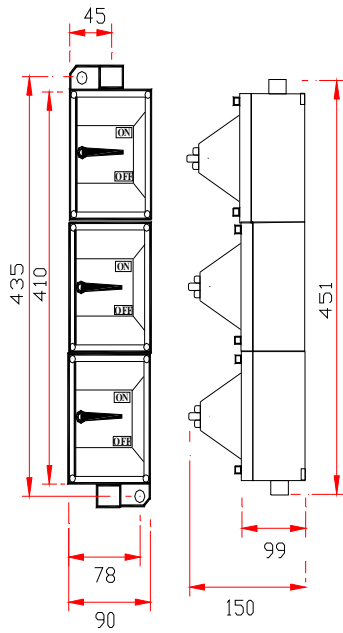
Rating (Amps) 2-Poles	Dead - end Hub Size NPT(inch)		Through - feed Hub Size NPT(inch)	
	1/2"	3/4"	1/2"	3/4"
Single Gang				
10	ESW11-210	ESW12-210	ESW11H - 210	ESW12H - 210
15	ESW11-215	ESW12-215	ESW11H - 215	ESW12H - 215
20	ESW11-220	ESW12-220	ESW11H - 220	ESW12H - 220
30	ESW11-230	ESW12-230	ESW11H - 230	ESW12H - 230
Two Gangs				
10	ESW21-210	ESW22-210	ESW21H - 210	ESW22H - 210
15	ESW21-215	ESW22-215	ESW21H - 215	ESW22H - 215
20	ESW21-220	ESW22-220	ESW21H - 220	ESW22H - 220
30	ESW21-230	SMN22-230	ESW21H - 230	ESW22H - 230
Three Gangs	Hub Size NPT(inch) 1"		Hub Size NPT(inch) 1"	
10	ESW33-210		ESW33H - 210	
15	ESW33-215		ESW33H - 215	
20	ESW33-220		ESW33H - 220	
30	ESW33-230		ESW33H - 230	

**SNAP SWITCHES, ESW Series
EXPLOSION PROOF**

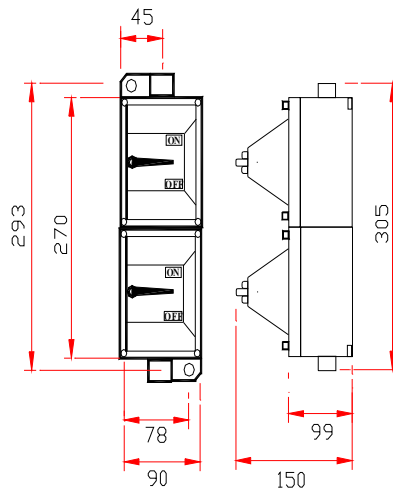


DIMENSION IN MM.

Three Gang



Two Gang



Single Gang

